

»FUTURA-mini« series

Oil-mist lubricators with excellent flow rates in modern design.

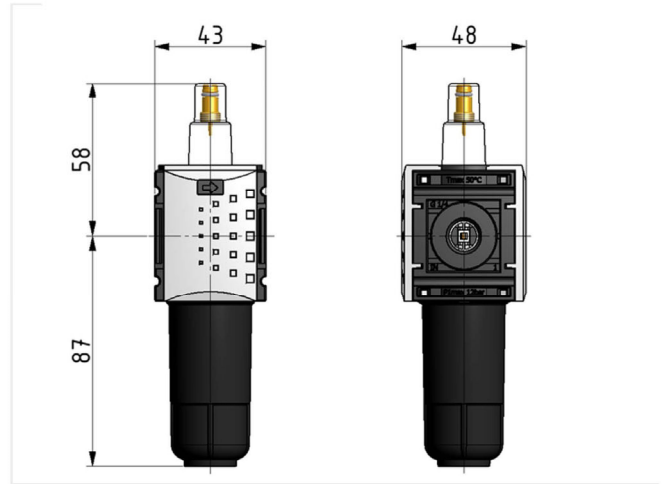
Max. input pressure	12 bar
Temperature range	-10 °C to 50 °C
Medium	Compressed air, neutral gases
Housing	PA66 GF60
Connecting thread	Plastic
Sight dome	PC
Sealant	NBR
Oil grade	CL 32 acc. to DIN 51517-ISO VG 32
Flow rate	1500 l/min
Flow rate measurement	At P ₂ = 6 bar and pressure drop Δ _p = 1 bar

Oil-mist lubricator with metal bowl

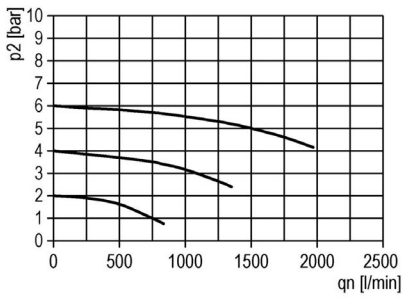
Art. No.	Type No.	Thread	Size
142456	FUM 901-M	G 1/4	0

Accessories / spare parts

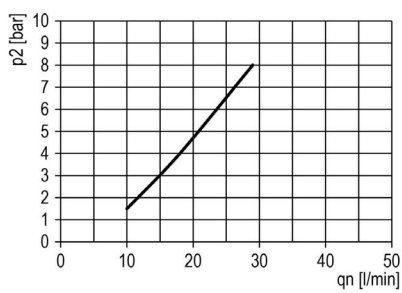
Art. No.	Type No.	Description
143105	H 848	Mounting bracket, incl. 2 screws
143010	WKM 100	Coupling package for wall mounting incl. 2 screws and O-ring
143022	KPM 100	Coupling package incl. 2 screws and O-ring
100383	740/01	Polycarbonate bowl (lubricator)
152077	WK 100-14	Wall bracket with connection thread G 1/4
100391	740/11	Metal bowl (lubricator)
118137	302.4.9	O-ring 30x2 mm for container
100214	901.7.990	Sight dome, polycarbonate



flow characteristic



lubricator operating limit



symbol

